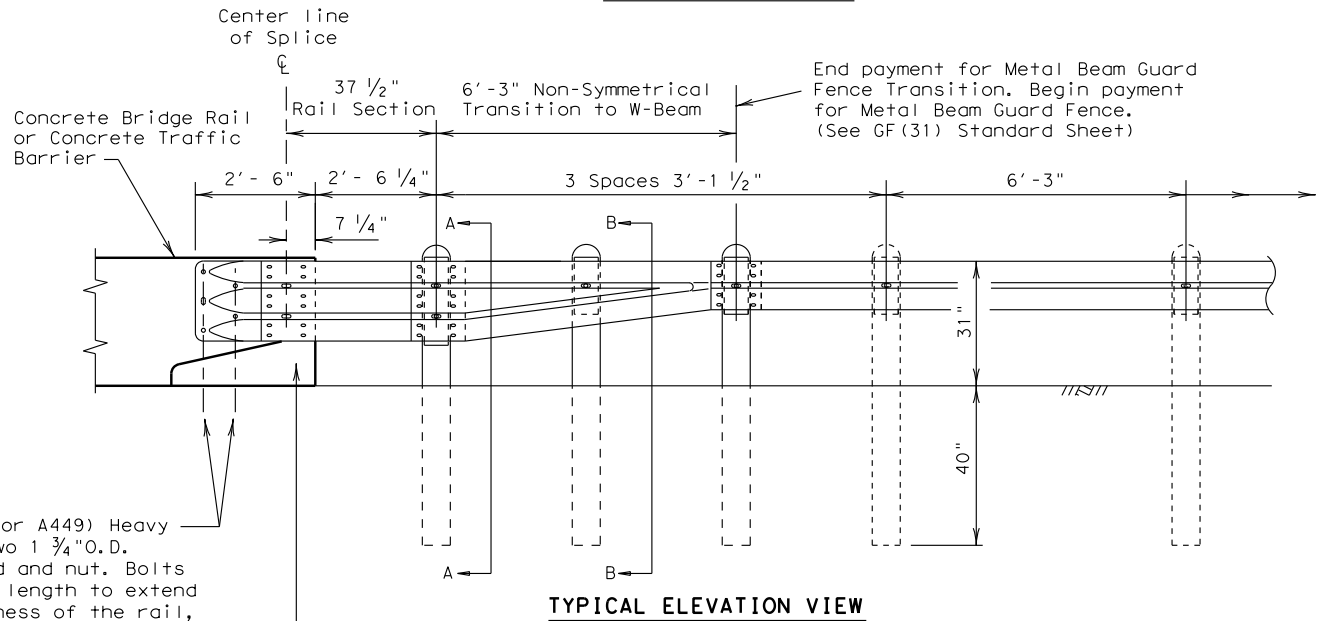
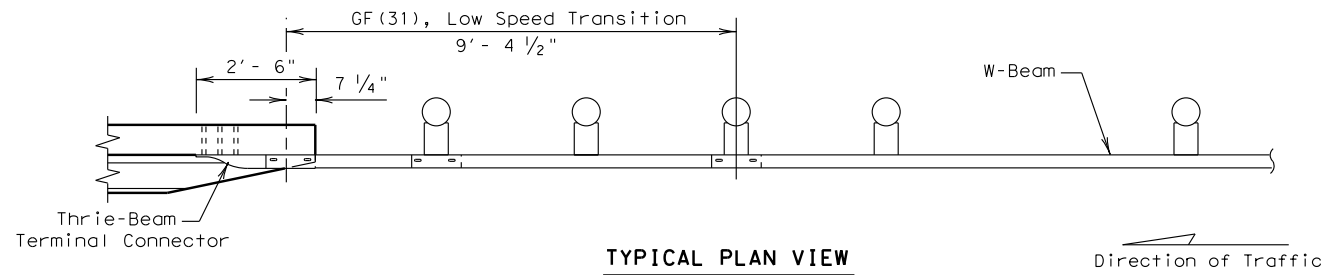


DISCLAIMER: The use of this standard is governed by the "Texas Engineering Practice Act". No warranty of any kind is made by TxDOT for any purpose whatsoever. TxDOT assumes no responsibility for the conversion of this standard to other formats or for incorrect results or damages resulting from its use.



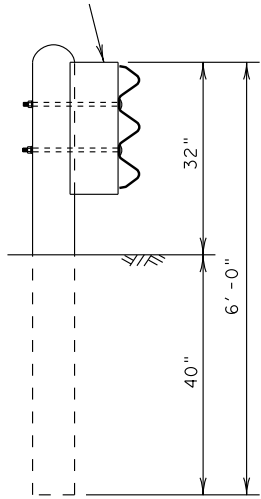
5 ~ 7/8" Dia. (ASTM A325 or A449) Heavy Hex Head Bolts, with two 1 3/4" O.D. washers under each head and nut. Bolts shall be of sufficient length to extend through the full thickness of the rail, washer, and nut. Install with bolt heads on traffic face.

Chamfer required on concrete rails that extend beyond the face of the guardrail transition.

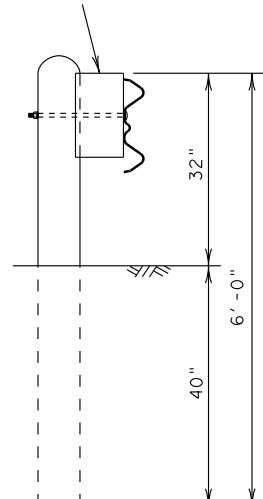
**TERMINAL CONNECTION NOTE**  
To ensure a stable connection, (12) Rectangular Washers (FWR03) are required under the recessed nuts at the Terminal Connection splice.

This post location requires a Thrie-Beam Block (6"x 8"x 22" Nom).

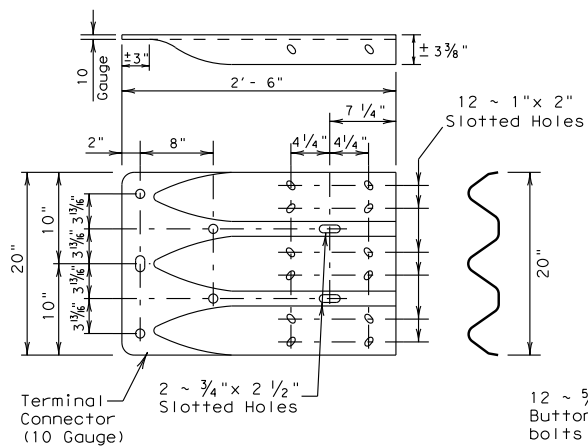
Standard Block (6"x 8"x 14" Nom)



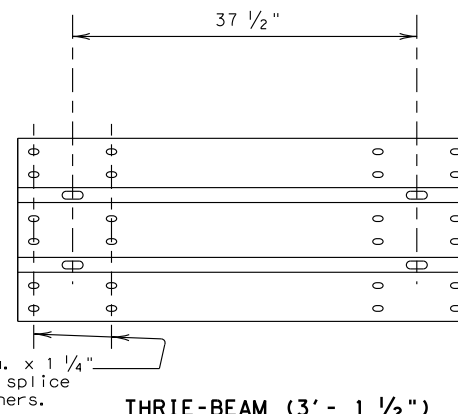
SECTION A-A



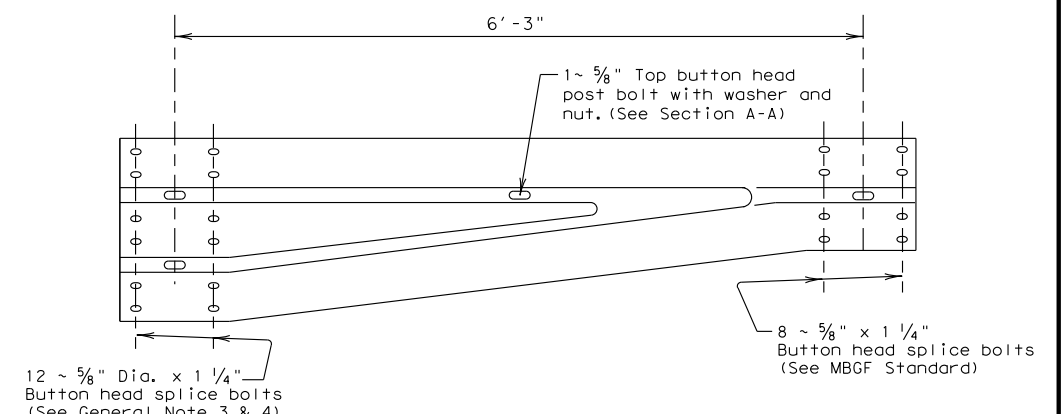
SECTION B-B



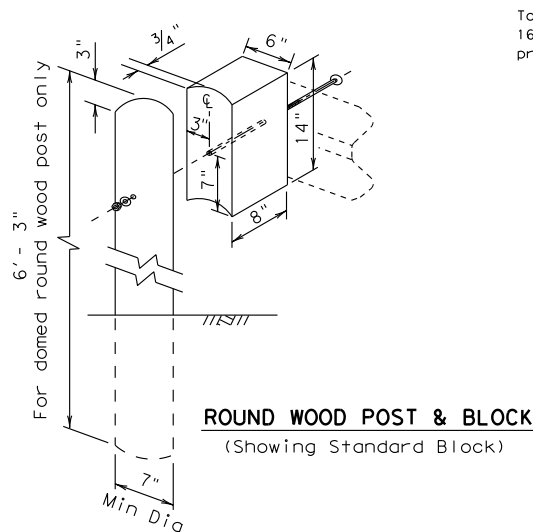
THRIE-BEAM (3'-1 1/2") (10 GA.) ELEMENT SECTION  
(See Terminal Connection Note)



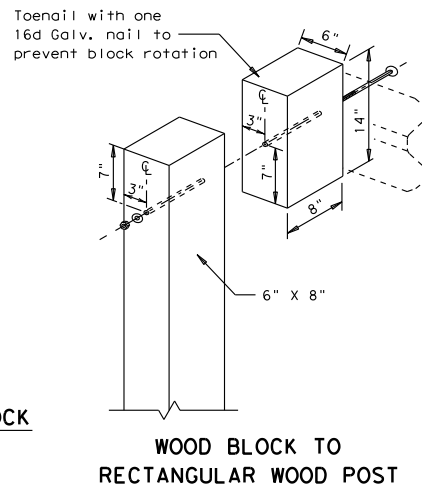
THRIE-BEAM (3'-1 1/2") (10 GA.) ELEMENT SECTION



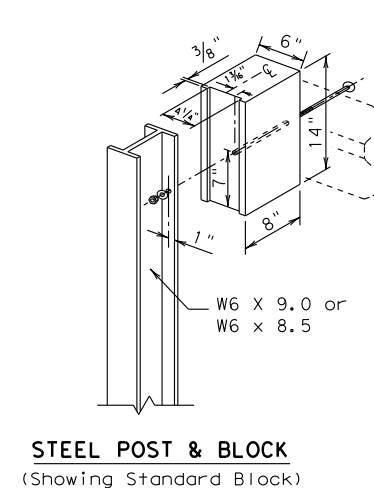
NON-SYMMETRICAL (10 GA.) TRANSITION SECTION



ROUND WOOD POST & BLOCK  
(Showing Standard Block)



WOOD BLOCK TO RECTANGULAR WOOD POST



STEEL POST & BLOCK  
(Showing Standard Block)

**GENERAL NOTES**

1. The type of post (round wood post, rectangular wood post, or steel post) will be as shown in the plans. The exact position of transitions shall be as shown in the plans or as directed by the Engineer.
2. Rail element shall meet the requirements of Item 540, "Metal Beam Guard Fence" except as modified in the plans.
3. Button head "post" bolts (ASTM A307) shall be of sufficient length to extend through the full thickness of the nut and Type A 1 3/4" O.D. washer and not more than 1" beyond it. Button head "splice" bolts (ASTM A307) are 5/8" x 1 1/4" with 5/8" double recessed nuts (ASTM A563).
4. Fittings (bolts, nuts, and washers) shall be galvanized in accordance with Item 445, "Galvanizing." Fittings shall be subsidiary to the bid item requiring construction of the transition.
5. Crown will be widened to accommodate transitions.
6. If solid rock is encountered. See the GF(31) standard sheet for the proper installation guidance.
7. Posts shall not be set in concrete, of any depth.
8. Unless otherwise shown in the plans, a composite material post and/or block that meets the requirements of DMS-7210, "Composite Material Posts and Blocks for Metal Beam Guard Fence" may be substituted for posts and/or blocks of similar dimensions. The Construction Division, TxDOT, maintains a Material Producer List (MPL) for producers of materials conforming to DMS-7210. Only producers on the MPL can furnish composite material posts and/or blocks.
9. Refer to GF(31) standard sheet for additional details.

DATE: FILE:

|  |           |                                 |           |
|--|-----------|---------------------------------|-----------|
|  |           | <b>Design Division Standard</b> |           |
| <b>METAL BEAM GUARD FENCE TRANSITION (TL-2) (Low Speed Transition)</b> |           |                                 |           |
| <b>GF (31) TL2-11</b>  |           |                                 |           |
| FILE: gf31+211.dgn   | DN: TxDOT | CK: AM                          | DW: BD    |
| © TxDOT December 2011  | CONT      | SECT                            | JOB       |
| REVISIONS  |           |                                 | HIGHWAY   |
|  | DIST      | COUNTY                          | SHEET NO. |